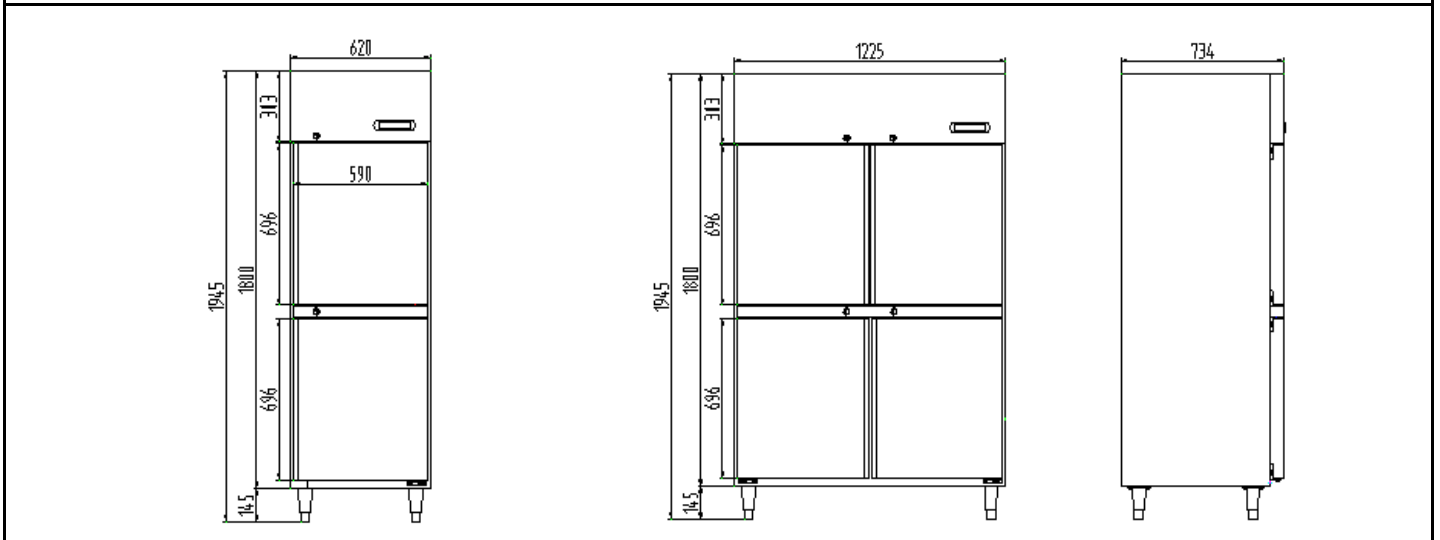


Upright Freezer



Model No.	External (mm) W*D*H	Capacity (L)	Operating Temp. (°C)	Rated(V) Current(A)	No. of shelves	Weight NW./GW.	Shipping dimension
UFA-060-N-SD	620x734x1945	400	-14~-18	220V/3.5	3	89/93 kgs	680*790*1980
UFA-120-N-SD	1225x734x1945	900	-14~-18	220V/4.6	6	114/118 kgs	1280*790*1980

FEATURES:

REFRIGERATION SYSTEM

- Operating temperature: -14~-18°C, under room temperature of 38°C.
- Fan forced evaporator cooling.
- Self-contained refrigeration system at the top.

CONSTRUCTION

- 55mm all round insulation with high density PU (40kg/m³).
- High quality international brand compressor: Embraco aspera compressor.
- Soft closing doors.
- Wide magnetic gasket gives effective seal and is removable for easy cleaning and maintenance.
- Anti condensation heaters fitted to the frame of the counter body to avoid the condensation.

OPTION

- Standard stainless steel bullet feet, adjustable from 135 to 165mm, castors with 130mm height is optional.