



### Dishwashing

EVO Generation - Concept

## DISHWASHER CO-110

#### DIMENSIONS

		<u>Article</u>	<u>Packed</u>
Length	mm	<b>665,00</b>	<b>870,00</b>
Depth	mm	<b>775,00</b>	<b>950,00</b>
Height	mm	<b>1.540,00</b>	<b>1.750,00</b>
Weigth	Kg	<b>135,00</b>	<b>150,00</b>
Volumen	m3		<b>1,45</b>

#### ELECTRICITY

<u>Electric power</u>	KW	
230V -1+N		<b>11,10</b>
		<b>2x16+T - 63 A</b>
230V - III		<b>3x6+T - 40 A</b>
400V - III+N		<b>4x2,5+T - 25 A</b>

#### WATER

Water consumption (lit/h)	<b>96,00</b>
Pressure (Kg/cm2)	<b>2 ÷ 4</b>

#### GAS

Not used

#### STEAM

Not used

#### AIR

Not used

#### LEVEL SOUND

(dB) **65,00**

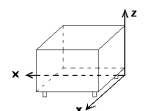
#### DISHWASHER CO-110

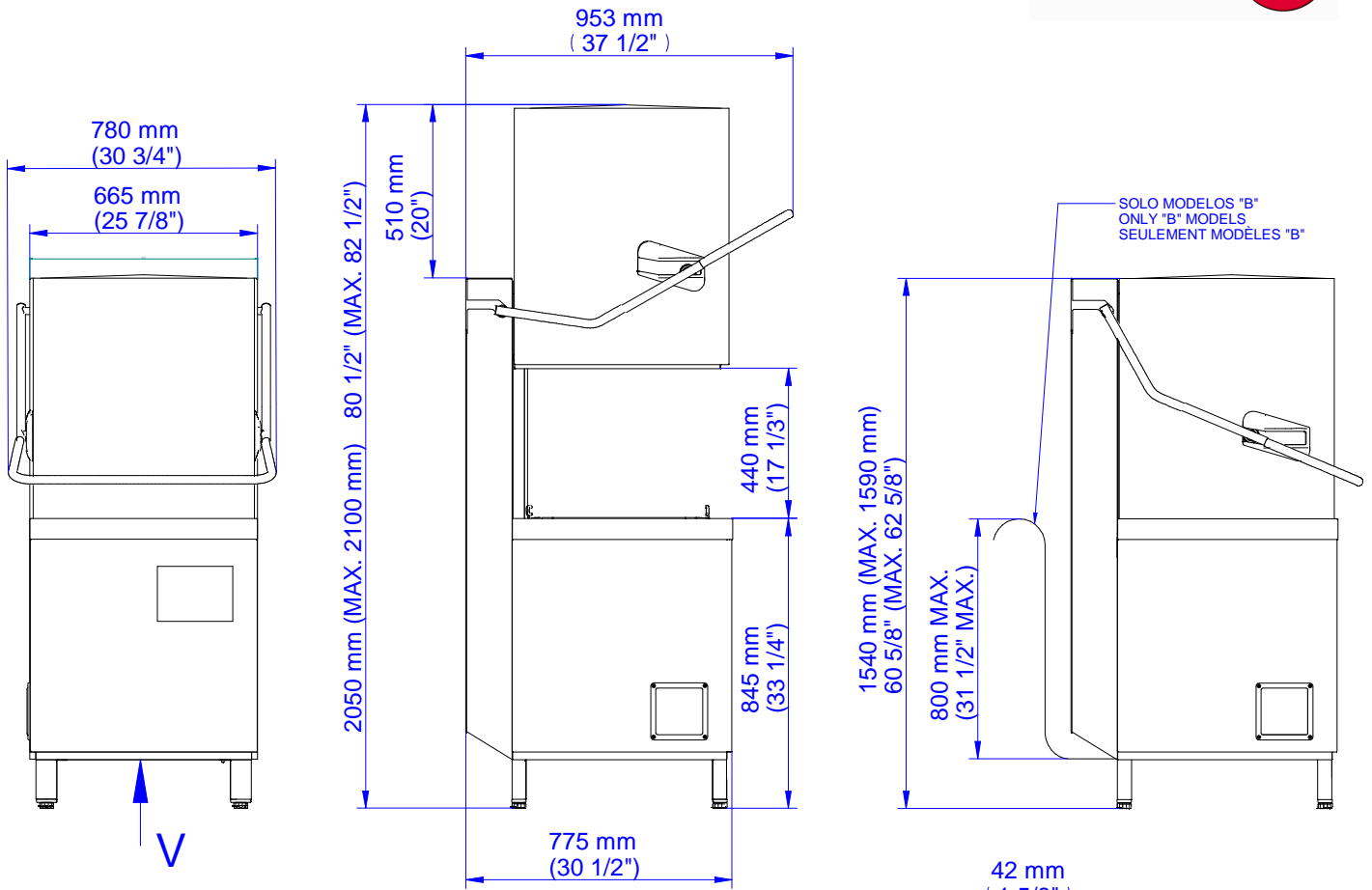
Hood type dishwasher - EVO Generation - Concept range.  
Hourly production: 40 baskets/hour - 720 dishes/hour.  
Clearance (max ware height): 440 mm.  
Wash cycles: 90", 120"- 180".

Made of stainless steel.  
Counterbalanced hood.  
Double rotating wash and rinse systems, made of AISI-304 stainless steel.  
Wash pump, 600 W each.  
Tank with 4.5 kW heating power.  
Tank capacity: 34 litres.  
Boiler heating power: 6 kW.  
Boiler capacity: 9 litres.  
Water consumption: 2.4 litres/rinse.  
Thermostatic temperature control: washing at 60°C and rinsing at 90°C.  
Safety thermostats.  
Built-in automatic rinse dispenser and detergent doser.  
Built-in non-return valve.  
Safety magnetic switch for hood opening.  
Adjustable legs.  
Water protection rating: IPX4  
Total power: 6,60 / 11,1 kW.  
Dimensions: 665 x 775 x 1540 mm (2050 mm open hood).

Baskets equipment: 1 x CT-10, 1 x CP-16/18 and 2 cutlery containers.

<u>Connections points</u>	<u>X</u>	<u>Y</u>	<u>Z</u>	<u>Diameter</u>	<u>Information</u>
ELECTRICITY	210	50	65		
SOFT COLD WATER	305	50	65	3/4"	
DRAIN	370	50	65	30 x 25	





SOLO MODELOS "B"  
ONLY "B" MODELS  
SEULEMENT MODÈLES "B"

- A: ENTRADA DE AGUA
- E: ALIMENTACIÓN ELÉCTRICA
- D: DESAGÜE
  
- A: WATER INLET
- E: ELECTRICAL CONNECTION
- D: DRAIN
  
- A: ARRIVÉE D'EAU
- E: CONNEXION ÉLECTRIQUE
- D: VIDANGE

V

